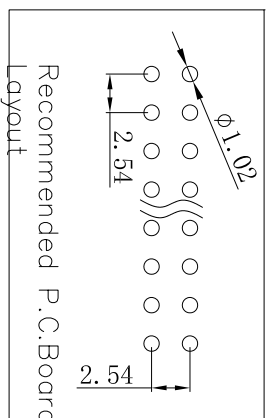
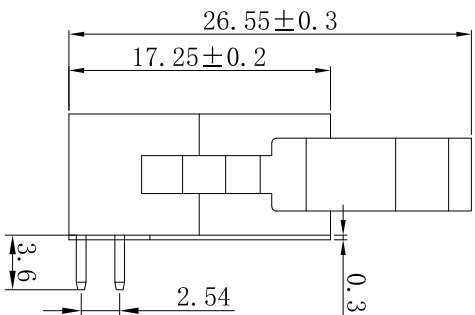
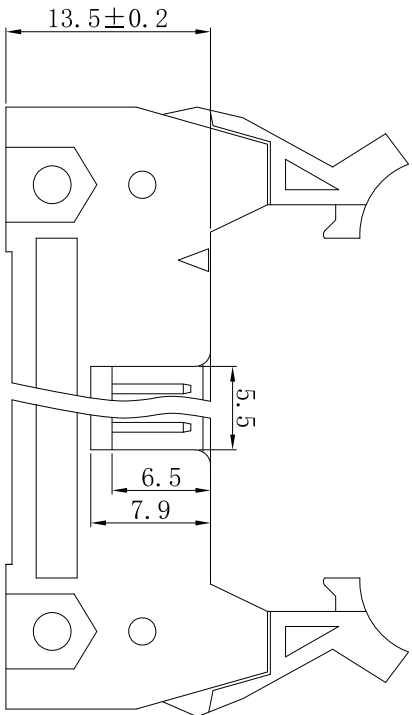
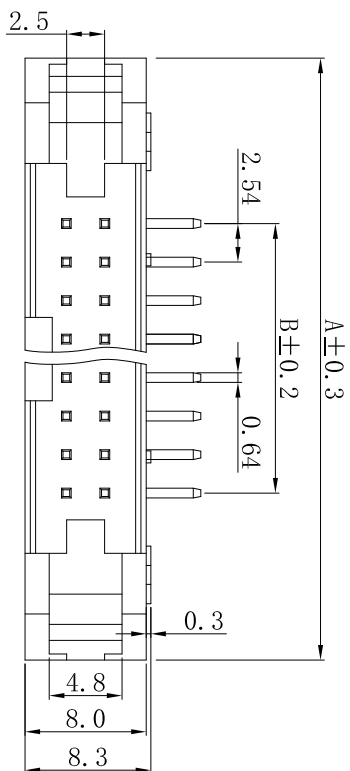


REV. NO.	REVISION NOTE	REVISER	DATE
V0	NEW DRAWING		2023/02/15

客户编码

XX-XXX



**Electrical Data:**  
 Current rating: 3Amps  
 Dielectric Withstanding Voltage: 1000VAC for one minute  
 Contact Resistance: < 20 mΩ  
 Insulation Resistance: > 1000 MΩ  
 Operating Temperature: -40°C ~ +105°C

**Construction:**

Insulator: Black Glass Filled Polyester  
 Flammability Rating: UL 94V-0  
 Contact Material: Brass  
 Contacts plating: Selective gold on surface contact area  
 Standard: PA6T  
 PA6T soldering temperature resistance up to 260 °C

- 备注:
- 1、A= 2.54 X No. of Positions+19.18
  - 2、B= 2.54 X No. of Contacts - 2.54
  - 3、胶壳用常规标准胶壳, 2XNo. of Contacts
  - 4、材质: PA6T 颜色: 灰色
  - 5、表层镀金0.8U
  - 6、胶壳材质必须能过回流焊, 及回流焊过程中不脱落及融合

<p>Http://www.ciscomm.com</p>		<p>深圳市新世联电子有限公司</p> <p>TEL: +86 (755) 29912370 FAX: 29912372</p>			
Tolerance Unless Otherwise Specified	Title	Units	Scale	REV NO.	Material No.
.X ~ ±0.30		mm	2:1	V0	XXXXX-XXXXX-XXX-XX
.XX ~ ±0.25					
.XXX ~ ±0.20					
Angle ~ ± 3°					
Drawing By	Date	Reviewed By	Date	Approval By	Date
LiuYang	2023/02/15				